

995841 Mono/Adjala townline
RR#1 Rosemont
Ontario, Canada
L0N 1R0

Toll free | 866.888.8981
Tel | 705.435.3780
Fax | 705.435.3770

info@interspecsystems.com

> Bed Locator 6000



The Bed Locator 6000 will be supplied by Interspec Systems Ltd.

The Bed Locator will extend 3-1/2" (89mm) from the wall and the end caps provided will extend 7-3/8" (187mm).

The .080" (2mm) thick, scratch and stain resistant vinyl cover will be mounted on a sturdy .080" (2mm) thick, continuous aluminum retainer. A standard colour of Mission White will be supplied by Interspec. Custom colours are also available at an extra charge.

> Components

Vinyl: Snap on cover of .080" (2mm) thickness shall be extruded from chemical and stain resistant polyvinyl chloride with the addition of impact modifiers. No plasticizers shall be added (plasticizers may aid in bacterial growth).

Aluminum: Continuous aluminum retainer of .080" (2mm) thickness shall be fabricated from 6063-T5 aluminum, with a mill finish.

End Caps: End caps shall be made of injection molded thermoplastics.

Fasteners: All mounting system accessories appropriate for substrates indicated on the drawings shall be provided.

Vinyl Cover Finish: Colours of the bed locator to be selected by the architect from the finish selection supplied by Interspec Systems Ltd. Vinyl surface shall have a pebbled texture.

Molded Components: End caps shall be of a colour matching the bed locator. Surface shall have a pebbled texture.

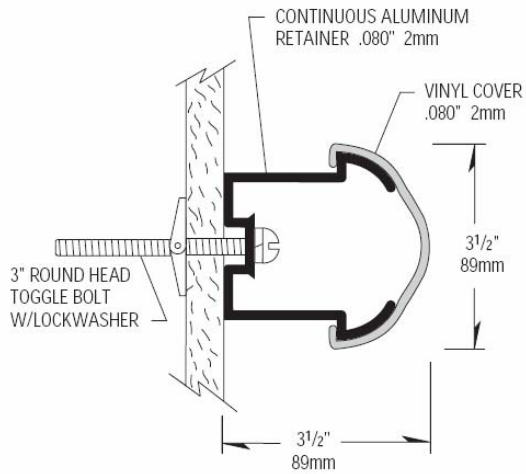
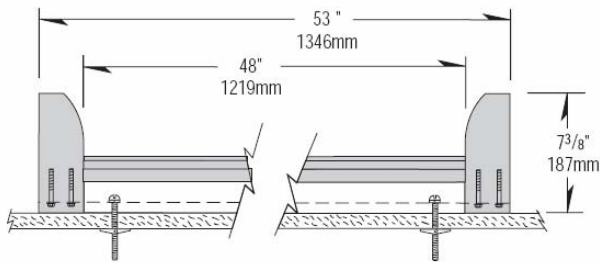
995841 Mono/Adjala townline
RR#1 Rosemont
Ontario, Canada
L0N 1R0

Toll free | 866.888.8981
Tel | 705.435.3780
Fax | 705.435.3770

info@interspecsystems.com

> Part Numbers and Dimensions

IS-BL-6000 - Interspec Systems Bed Locator 6000 series



Class A
Fire Rating



Self-
Extinguishing

Nov-07 – Interspec Systems Ltd.

