

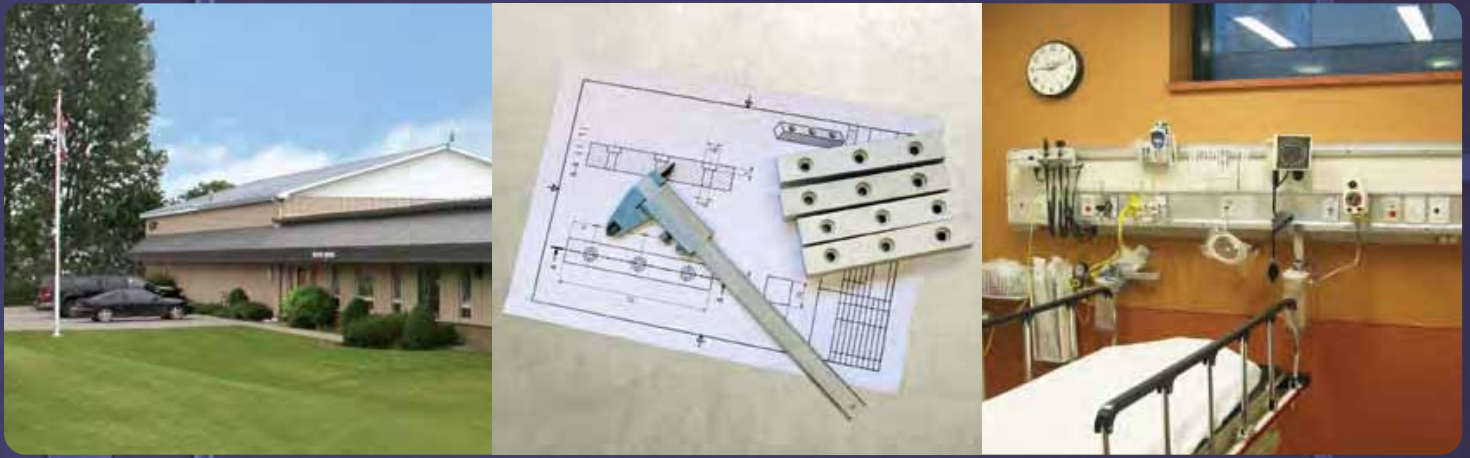
# ACCESSORIES



RAILS  
TRACKS  
BRACKETS  
BASKETS  
BOXES  
APPLIANCE  
HOLDERS  
SHARPS  
DISPOSAL  
CONTAINERS  
& DISPENSERS  
MOUNTING  
PLATES  
AND MORE...  
FOR ALL  
INTERSPEC  
HEADWALLS

SUPERIOR  
HEADWALL  
SYSTEMS





# EXPERIENCED AT PROVIDING QUALITY PATIENT CARE SOLUTIONS

As Canadian innovators in the field, Interspec Systems has maintained a commitment to fulfilling patient care service needs for over 40 years. Our wide range of custom extrusion profiles and in house manufacturing capabilities allow us to fill any requirement and allows for a level of design flexibility unmatched by any other manufacturer in the industry. Our quality control team, to ensure every product meets and surpasses "North American" quality standards, closely monitors all of our materials and workmanship. If it's a new hospital build, or a small renovation, we can assist you with customized solutions to suit your requirements. Layout assistance, product samples, shop drawings and complete detailed specifications are all an integral part of our process. Our experienced team will assist you in creating the most efficient and streamlined product possible. Let the commitment and experience of Interspec Systems Limited make a difference to you.



[WWW.INTERSPECSYSTEMS.COM](http://WWW.INTERSPECSYSTEMS.COM)





# ENVIRONMENTALLY CONSCIENCE

Interspec Systems Limited is an environmentally conscience company that is able to meet and fulfill our customers environmental concerns and standards through our products and manufacturing. In our manufacturing processes we use 100% recyclable aluminum, which can be recycled many times without losing its properties. All of our process produced scrap aluminum, stainless steel, copper and other steels are recycled. Through our process management, quality management and use of recycled materials, Interspec may be able to increase your rating on LEED (Leadership in Energy and Environmental Design) projects by helping you to meet the highest standards of these important LEED performance criteria. If you have a RoHS (restriction of Hazardous Substances) directive, Interspec is able to assist you in achieving a RoHS compliant product. Through Interspec Systems Limited quality control systems, our sustainable accepted suppliers and our commitment to environmentally sound practices, in a timely and experienced manner we can help our clients achieve whatever level of "Green" initiative they are striving for.

# TABLE OF CONTENTS

<b>Universal Pole Mount</b> .....	5
<b>Vertical and Horizontal Pole Mount Track Adapter</b> .....	5
<b>Fairfield Rail Mount</b> .....	6
<b>Horizontal Pole Mount</b> .....	6
<b>IV Pole</b> .....	7
<b>Infusion Pump Support - Single Mount</b> .....	7
<b>Ophthalmoscope Mounting Adaptor</b> .....	8
<b>Thermometer Adaptor</b> .....	8
<b>Vacuum Bottle Slide</b> .....	9
<b>Vacuum Bottle Cove</b> .....	9
<b>Gas Block</b> .....	10
<b>Resuscitation Bag Holder</b> .....	10
<b>Blood Pressure Cuff Hanger</b> .....	10
<b>Oxygen Cylinder Holder</b> .....	11
<b>Oxygen Air Blender Bracket</b> .....	11
<b>Sure Temp Thermometer Adaptor</b> .....	11
<b>Sharps Container Holder</b> .....	12
<b>Glove Caddy</b> .....	12
<b>Catheter Containers</b> .....	13
<b>Needle Stick Prevention</b> .....	13
<b>Sphygmomanometer Mounting Adaptor</b> .....	14
<b>Specula Dispenser Adaptor</b> .....	14
<b>Horizontal Rail System</b> .....	15
<b>Horizontal Rail</b> .....	16
<b>Mounting Spacer</b> .....	16
<b>Wall Mount Bracket</b> .....	16
<b>Cuff Basket</b> .....	17
<b>Wire Baskets</b> .....	17
<b>NEXT Workstation</b> .....	18
<b>Mobile Equipment Cart</b> .....	18
<b>Monitor Track</b> .....	19
<b>Single Mantis 20 - Monitor Arm</b> .....	19
<b>Single Mantis 2 - Monitor Arm</b> .....	19
<b>Request for Estimate</b> .....	20
<b>Notes</b> .....	21



## Universal Pole Mount

The Vertical Track Adapter quickly attaches at any location along Interspec's Vertical or Horizontal Track System. The adapter accepts all post mount accessories with 1/2" (12.7mm) posts. This unique design also quickly adapts to fit most dove tail and t-slot tracks which are commonly available.

DESCRIPTION	STOCK NO.
Vertical Track Adapter with 1/2" (12.7mm) Socket	9310



## Vertical and Horizontal Pole Mount Track Adapter

The Vertical Track Adapter quickly attaches at any location along Interspec's Vertical or Horizontal Track System. The adapter accepts all post mount accessories with 1/2" (12.7mm) posts.

DESCRIPTION	STOCK NO.
Vertical Track Adapter with 1/2" (12.7mm) Socket	9320



## Fairfield Rail Mount

The Fairfield rail mount is a universal type blank accessory used to customize mounting devices. Complete with molded cam action toggle lock system. Interspec brackets are compatible with several competitive product lines.

DESCRIPTION	STOCK NO.
Fairfield Adaptor – single	6010
Fairfield Adaptor – double	6011



## Horizontal Pole Mount

The Horizontal Universal Pole Mount Adaptor is a Fairfield style mount which allows various pole mount attachments to be inserted. The adapter accepts all post mount accessories with 1/2" (12.7mm) posts.

DESCRIPTION	STOCK NO.
Horizontal Pole Mount Adaptor	8016



## IV Pole

The IV Poles are used to hold IV solution bags. The IV Pole has a 1/2" (12.7 mm) diameter post mount which requires one (1) Horizontal Universal Pole Mount Adapter (8016) or Vertical Universal Pole Mount Adapter (9320). Offered in 3 different lengths and with 2 hooks or 4.

DESCRIPTION	STOCK NO.
2 Hook IV pole 2"	8015
2 hook IV pole 12"	8015 - 12"
4 hook IV pole 12"	8019 - 12"
2 hook IV pole 18"	8015 - 18"
4 hook IV pole 18"	8019 - 18"



## Infusion Pump Support- Single Mount

The Single Mount Infusion Pump system allows quick attachment of infusion pumps or other pole mount devices. The Infusion Pump Mount is 24" in height and swivels 180 degrees. Requires 2 vertical track adaptors.

Note: IV trees available in 2 hook and 4 hook. Double mount available upon request.

DESCRIPTION	STOCK NO.
Single Mount Infusion Pump (requires 2 Vertical Track)	8050





## Ophthalmoscope Mounting Adaptor

The Ophthalmoscope Mounting Adaptor mounts securely to vertical and horizontal equipment management systems. The mounting adaptor is provided complete with 1/2" (12.7mm) post and requires the use of either the Horizontal Pole Mount Adapter (8016) or the Vertical Pole Mount Adapter (9320). Our standard model offers a mounting solution for the Welch Allyn 767 Ophthalmoscope. Other styles are available on request.

DESCRIPTION	STOCK NO.
Ophthalmoscope Mounting Adaptor	8041

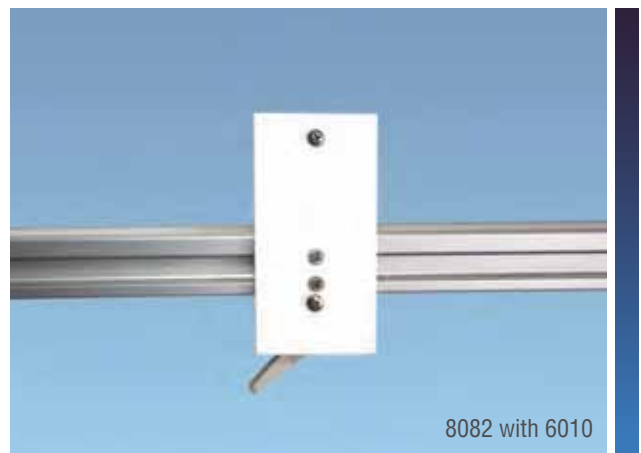
Requires 9320, 6010 or 8016.



## Thermometer Adaptor

The Turbo Temp Thermometer mount provides simple mounting solution for any brand of thermometer including models from Filac, Alaris, and Diatek. Available in both Pole Mount or Fairfield style mounting options.

DESCRIPTION	STOCK NO.
Turbo Temp Mounting Adaptor	8082





## Vacuum Bottle Slide

Vacuum Bottle Slides offer a convenient way to securely hold items such as suction canisters and other secondary equipment. Slides can be mounted directly to the wall, as well as any of the Pole Mount, Fairfield Mount, or Track Mount Options.

DESCRIPTION	STOCK NO.
Vacuum Bottle Slide	8011
Vacuum Bottle Slide with Fixed Track Mount	8054



## Vacuum Bottle Cove

Vacuum Bottle Storage Tubs are used for storage and/or protection of vacuum bottles. Standard bottle coves are partially recessed into the wall which frees up valuable workspace. Surface mounted enclosures are available for cases where recessed mounting is not an option.

DESCRIPTION	STOCK NO.
Two (2) Bottle Storage Cove complete with guards and vacuum slides	8010
Three (3) Bottle Storage Cove complete with Guards and slides	8009



## Gas Block

Mounts directly onto the Horizontal Fairfield Style equipment management rail system. Gas blocks are drilled and tapped for 1/4" NPT male connectors to accept any DISS or Quick Connect Fitting.

DESCRIPTION	STOCK NO.
Single Gas Block	6030
Double Gas Block	6020



## Resuscitation Bag Holder

The Resuscitation Bag Holder safely holds the resuscitator bag within easy reach of the medical staff. The holder mounts directly onto the Horizontal Fairfield Rail or Vertical Accessory Management Tracks.

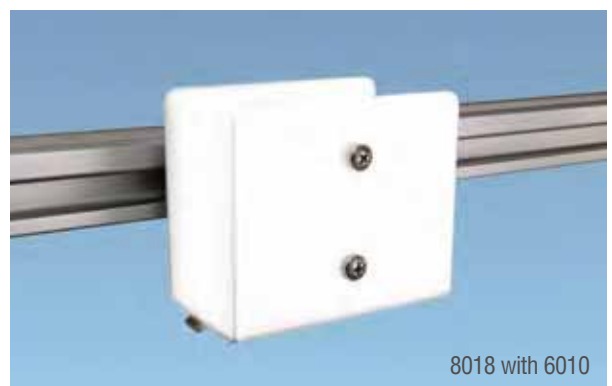
DESCRIPTION	STOCK NO.
Resuscitator Bag Holder	8014



## Blood Pressure Cuff Hanger

A simple and effective method of safely securing your blood pressure cuff. Available as a Fairfield mounted device.

DESCRIPTION	STOCK NO.
BP Cuff Hanger	8018



## Oxygen Cylinder Holder

The oxygen cylinder holder allows safe mounting of portable oxygen cylinders. Rugged stainless steel construction ensures years of care free service. Fairfield Mount is standard, but other mounting options are available.

DESCRIPTION	STOCK NO.
Oxygen Cylinder Holder	8081



## Oxygen Air Blender Bracket

Used for mounting oxygen/air blenders or “Bird Blenders”. Available in Pole Mount and Fairfield Style mounting configurations.

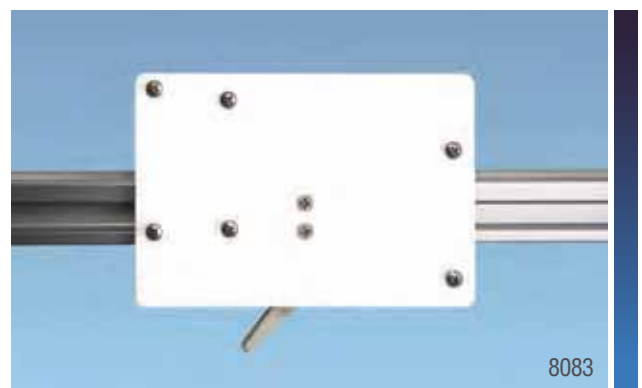
DESCRIPTION	STOCK NO.
Slide Adapter	8012



## Sure Temp Thermometer Adaptor

The Sure Temp adaptor allows secure and convenient mounting of your Thermometer and probe cover dispenser units. Available in Fairfield and Post Mount mounting options.

DESCRIPTION	STOCK NO.
Mounting Bracket Assembly only for Welch Allyn SureTemp® Thermometer & Holder, 690/692 Series	8083



## Sharps Container Holder

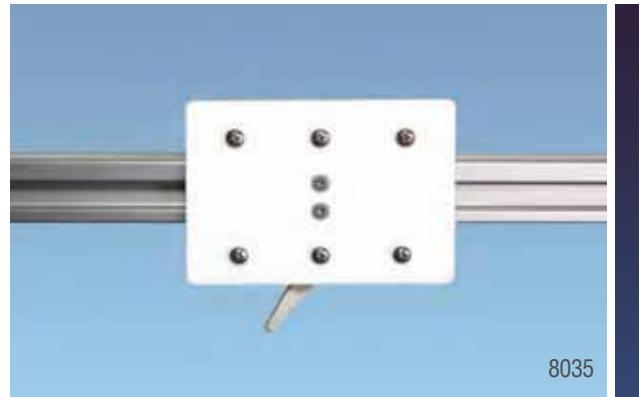
The Daniels Sharpsmart Container Holder allows you to position your sharps container in locations that are convenient for the medical staff. Available as a Pole Mounted device or as a Fairfield Mount.

DESCRIPTION	STOCK NO.
Sharpsmart Adaptor*	8035

\*Containers not included.



8035



8035



8035

## Glove Caddy

The glove caddy mounts directly onto the Horizontal Rail. Comes with blank accessory bracket for Horizontal mounting.

DESCRIPTION	STOCK NO.
Glove Caddy	8022



8022



## Catheter Containers

Secure storage solutions allow for easy dispensing of catheters. Large volume units are available with optional dividers. Standard units are Fairfield style mount, other mounting options available on request.

Custom sizes available.

DESCRIPTION	STOCK NO.
6"W x 18"H x 4"Deep	8023
7"W x 7"H x 5"Deep	8024



## Needle Stick Prevention

Interspec Systems Sharps Container Holder and Mounting System is versatile and accommodating to the user and the facility. The Sharps Holder and Mounting System is safe, durable, stable, cleanable and (where appropriate) lockable. It is custom designed to accommodate the numerous manufacturers of Sharps Disposal Containers. The mounting system easily detaches to allow for relocation of existing Sharps Disposal Container and can be adjusted for specific height requirements.

DESCRIPTION	STOCK NO.
Sharps Container Holder*	8029
Sharps Container Holder*	8030

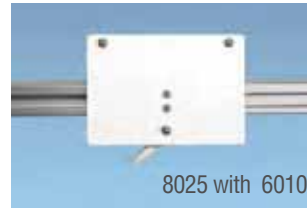
\*Containers not included.



## Sphygmomanometer Mounting Adaptor

Available in Post Mount and Fairfield Style Mounting Options, the “Sphyg Mount” offers a convenient way to position your blood pressure devices in easy to reach locations. Optional cuff basket helps organize your workspace. Our standard mounting adaptor is configured to accept the Welch Allyn 767 Sphygmomanometer, but other mounting solutions are available on request.

DESCRIPTION	STOCK NO.
Sphygmomanometer Mounting Adaptor	8025
Sphygmomanometer Mount with Cuff basket	8075



## Specula Dispenser Adaptor

The bracket assembly provides a convenient mounting location for your eye/ear/throat specula dispenser. Available for both horizontal and vertical equipment management systems. Our standard model offers a mounting solution for the Welch Allyn KleenSpec line of dispensers but other styles are available on request. Requires a Fairfield or Pole Mount Adaptor.

DESCRIPTION	STOCK NO.
Otoscope Specula Dispenser Adaptor	8042



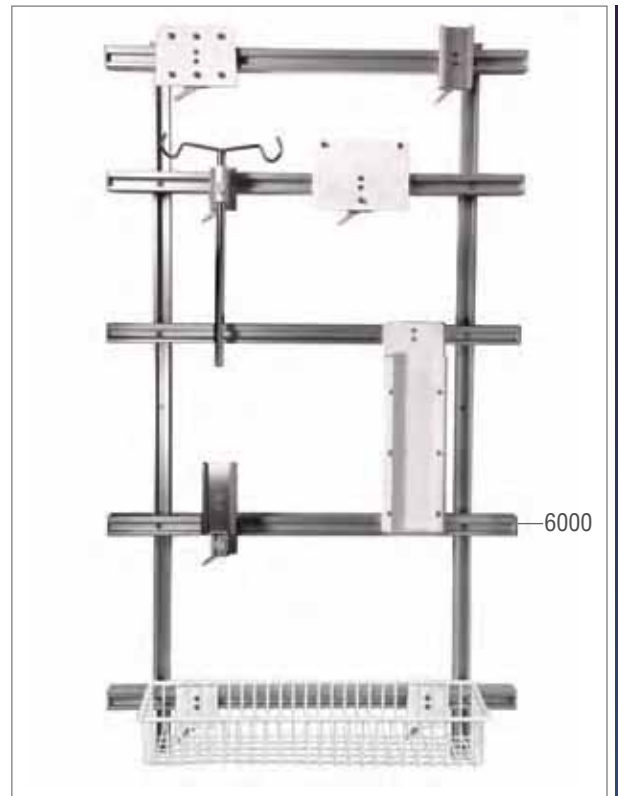
## Horizontal Rail System

### Headwall Mount/Wall Mount options

The Horizontal Rail System can be mounted onto Vertical Headwalls, directly wall mounted or mounted onto Vertical Rails for complete adjustability.

A number of hardware options are available to meet specific installation requirements.

DESCRIPTION	STOCK NO.
<b>Horizontal equipment management rails (EMR):</b> Heavy duty EMR (shown in photos) Economy EMR (not shown in photos)	 6000 8000
<b>Wall Mount Options:</b> Mounting Spacer (for every 2 feet of rail) Back Up Washer Wall Mount Bracket	 8004 8005 6004
<b>Vertical Track Mount:</b> Vertical Track	 7000



## Horizontal Rail

Our Fairfield compatible equipment management rail, allows medical staff to locate and relocate medical equipment quickly and efficiently. Sturdy aluminum construction with a tough anodized finish ensure many years of valuable service.

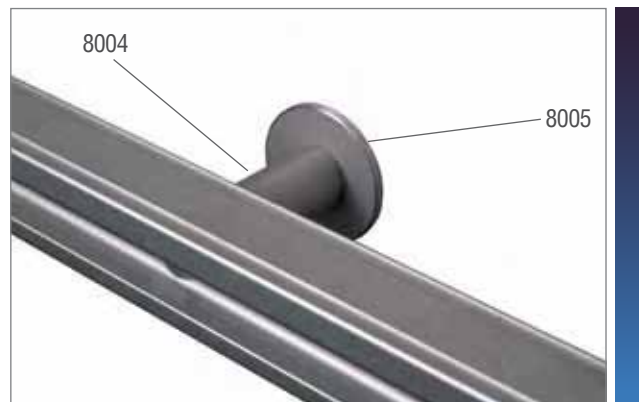
DESCRIPTION	STOCK NO.
Heavy duty Horizontal Rail (comes with end cap - stock no. 6002)	6000



## Mounting Spacer

Used for wall mounting horizontal accessory rail.

DESCRIPTION	STOCK NO.
Mounting Spacer	8004
Back up Washer	8005



## Wall Mount Bracket

Used for wall mounting horizontal accessory rail.

DESCRIPTION	STOCK NO.
Wall Mount Brackets	6004





## Cuff Basket

7"W x 7"H x 4"D and comes with 6010 for horizontal mounting. Can be mounted on both horizontal and vertical mounting systems.

DESCRIPTION	STOCK NO.
Cuff Basket	9005



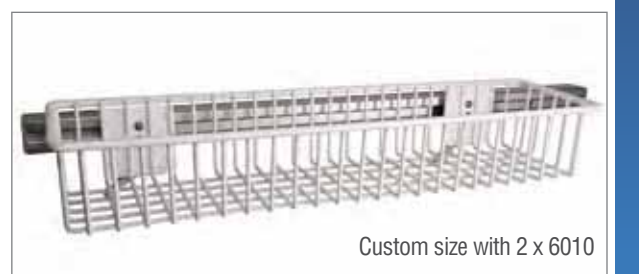
## Wire Baskets

All wire baskets come complete with mounting brackets and are high gloss white powder coated. Custom sizes available.

DESCRIPTION	STOCK NO.
18"W x 4"D x 9"W	9000
6.5"W x 6.5"H x 5"D Pivoting	9001
14.5"W x 6"H x 4"D	9002
9.5"W x 5"D x 4"D	9003
6.5"W x 6.5"H x 5"D	9004

MOUNTING OPTIONS	STOCK NO.
Fairfield Adapter - single	6010
Vertical Track Adapter (pivoting basket only)	9320

Custom sizes available upon request.



## NEXT Workstation

The NEXT Work station mounted on a 34" wall channel is an ergonomic solution for areas where space is limited. When not in use the NEXT workstation neatly tucks away freeing up valuable floor space. The NEXT workstation is fully adjustable which allows users to comfortably position the monitor and keyboard to their individual preference quickly and easily.

DESCRIPTION	STOCK NO.
NEXT Workstation*	8080

\*Keyboard and screen not included.



## Mobile Equipment Cart

This mobile cart has a flexible design and can be customized to meet any of your mobile needs. For nurses monitors, or for patients transferring from room to room, this cart can be fitted to suit your exact needs! It has a sturdy steel base and easy flow wheels.

DESCRIPTION	STOCK NO.
Monitor Cart*	8081

\*Basket not included.



## Monitor Track

The 18" Vertical Monitor Track allows for Monitor shelf attachment and height adjustability.

DESCRIPTION	STOCK NO.
Available in custom lengths Accepts competitive product lines	8045

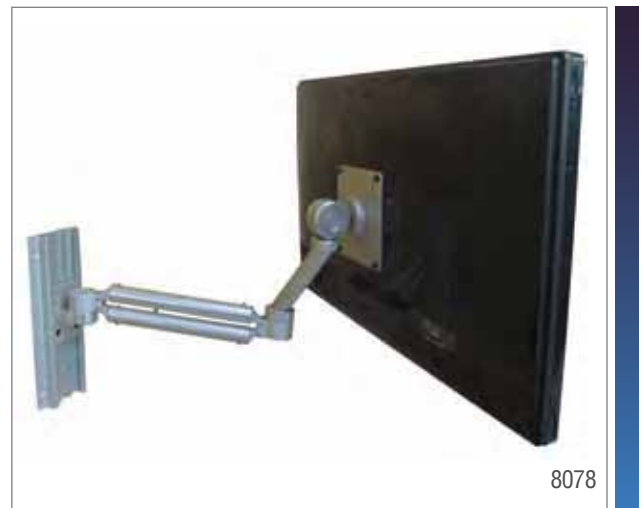


## Single Mantis 20 - Monitor Arm

Single Mantis 20 Arm, puck mount (rail not included), 100 x 100 mm Vesa Plate.

DESCRIPTION	STOCK NO.
Single Mantis 20 Arm*	8078

\*Monitor not included.

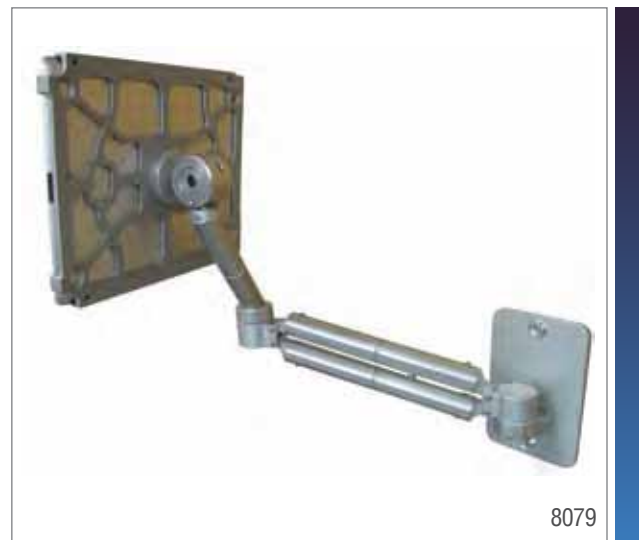


## Single Mantis 2 - Monitor Arm

Single Mantis 2 (Lockable) Arm, Single Stud Wall Mount, Secure iPad Holder.

DESCRIPTION	STOCK NO.
Single Mantis 2 (Lockable) Arm*	8079

\*ipad not included.



# REQUEST FOR ESTIMATE



## How to Order

**Fax** your order to Interspec Systems Limited at **705-435-3770**

**1** Identify the type of equipment you wish to manage and enter corresponding part number

**2** Identify mounting option (see page 5 and 6).

Company Name \_\_\_\_\_ Name \_\_\_\_\_

Address \_\_\_\_\_

Phone \_\_\_\_\_ Email \_\_\_\_\_

Part Name	Rail	Mount	Description	Quantity	Cost Each

Ship Via \_\_\_\_\_ Proposed Shipping date \_\_\_\_\_

**Thank you for the opportunity to estimate this job.**







## HOW TO ORDER

Please fax enclosed order form to 705-435-3770  
We can meet any requirement. Contact us for more information.



Interspec Systems Limited, 995841 Mono/Adjala Townline  
RR1 Rosemont, Ontario Canada L0N 1R0  
Phone 705-435-3780 Email [info@interspecsystems.com](mailto:info@interspecsystems.com)

For a complete listing of all our products visit  
[www.interspecsystems.com](http://www.interspecsystems.com)



Alspec Industries Limited is the sister company of Interspec Systems Limited,  
and fabricates precision aluminum and sheet metal products.

[www.alspec.ca](http://www.alspec.ca)



[WWW.INTERSPECSYSTEMS.COM](http://WWW.INTERSPECSYSTEMS.COM)